

255ml / 8oz (80mm) Art Series Double Wall BioCup BC-8DW-ART SERIES



*image as a guide only

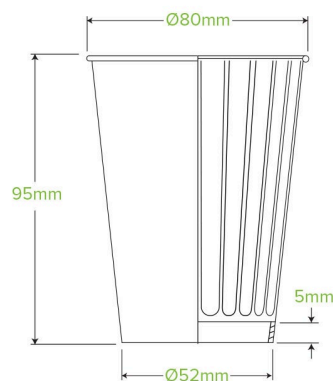


IMAGE AS A GUIDE ONLY. Cartons contain up to three different art cups with new artists featured every two months. Pictured here are designs from the latest Art Series. Unfortunately, we cannot sell individual art cups and cannot guarantee which prints, or which series of prints will be in each carton.

Carton Quantity: 1000	Sleeves per UOM: 20	Units per sleeve: 50
Carton Size: 41x33.5x60.5	Gross Weight: 13.840000	Barcode Carton: 19344062011481
Item Raw Material: Paper	Item Lining: Aqueous	Item Window: None
Item Printing Type: Offset	Ink: Food Contact Safe Inks	Brim full capacity: 260
Dimensions Top: 80x80	Dimensions Base: 49x49	Product Depth: 96
Weight (per unit): 12.8	Thickness: 280+260gsm	Item Use: Hot & Wet Products
Manufactured: Taiwan, Province of China	Customise: Print	MOQ Custom: 100000
Mould fees: Yes - see custom packaging	Environmental production certified: None	Quality product certified: TBC
Factory food safety certified: BRC	Corporate social accreditation: BSCI	Home compostable: Certified to AS5810 Australian standards, Certified to NF T51-800 European standards
Industrially compostable: Certified to AS4736 Australian Standards, Certified to EN13432 European Standard	Recyclable: No	